

Tape Cutting Device for MH-481

AT - 8

PARTS LIST

CSMP



INSTALLATION MANUAL & PARTS BOOK

FOR

AT-8 TAPE CUTTING DEVICE FOR MH-481

1) 10mm

2) 20 mm

Installation.

1. Replace the following components of the machine head;

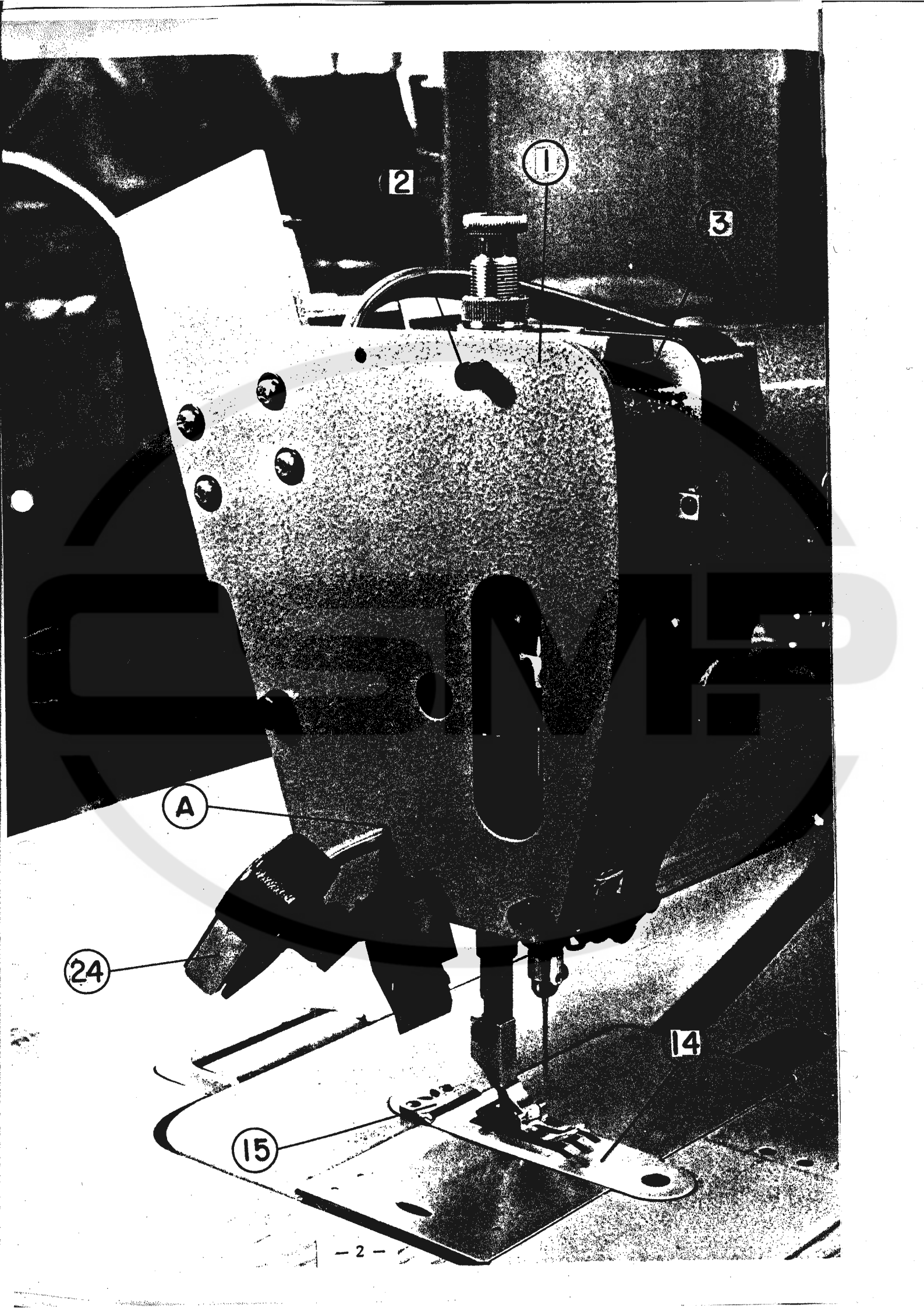
Machine arm components : Face plate, packing and presser lifter lever.

Machine bed components : Throat plate.

2. Installing the tape cutting device in the machine.

Put the face plate packing (3) onto the cutter mounting base (1) and attach them together to the face of the machine arm by tightening the screw (2) firmly. Install the special face plate (4) for the tape cutting device by means of the fastening screw (22) .

- o Insert the knife driving shaft (6) , knife driving shaft cushion (7) , spring (8) and knife connection (9) into the bearing (5) and fix them temporarily together with the knife connection guide (10) .



2

1

3

A

24

15

14



18

13

20

DUKI

12

25

9

6

5

7

10

8

16

17



19

22

4

23

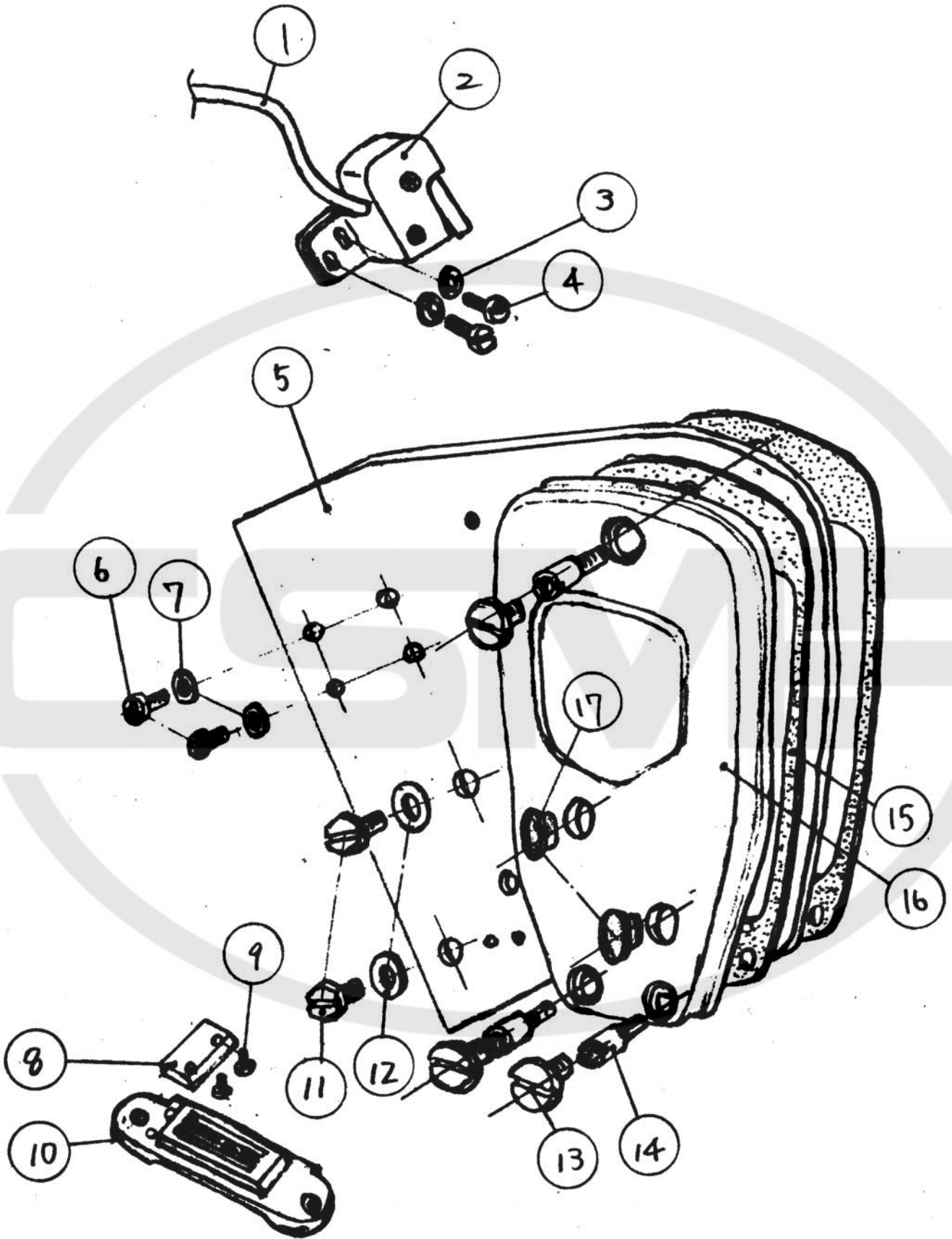
JUKI

- o Install the solenoid magnet (11) in the cutter mounting base so that the plunger of the magnet has a stroke of 20 mm by positioning the double lock nuts (12) and, at the same time, insert the end of the plunger (13) into the upper hole on the driving shaft bearing (25) .
- o Attach the counter plate (15) to the special throat plate (14) for the tape cutting device and install them to the machine bed.
- o Install the knife mounting base (16) under the knife driving shaft (6) and attach the upper knife (17) . Align the knife in parallel and tighten the knife connection (9) so that the knife connection guide (10) does not have any play.
- o Put the electric cord (18) into the guide groove and install the cover (19) . Attach the micro switch (24) to the bottom of the cutter mounting base, pass the cord through the hole (A) and fasten it by the cord holder (20) together with the cord (18) from the solenoid magnet. Fix the bundled cords to the rear of the machine by means of another cord holder (20) and the screw (B) and then bring them towards the rear face of the machine table.

Installing the knife.

Install the knife with its sharpened side facing to the operator and with care that the blade is accurately positioned in parallel with the mating surface of the counter plate (15) .
 Attach the knife cover (23) .

PARTS BOOK FOR AT-8 (10 mm)----- (1)



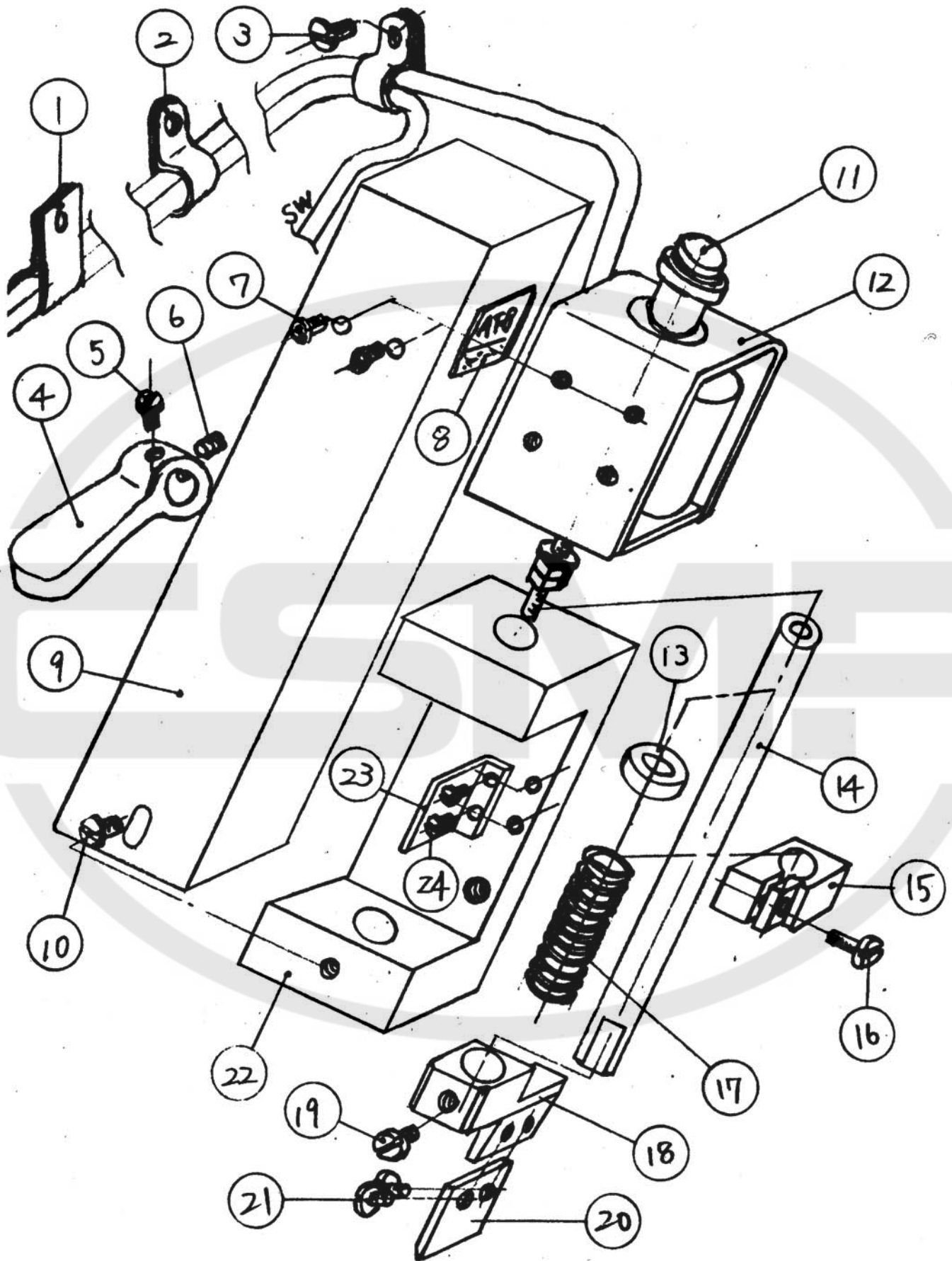
PARTS BOOK FOR AT-8 (10mm).....(1)

| Ref. No. | Part No. | Description | Amt. Req. | Remarks |
|----------|-------------|------------------------------------|-----------|---------|
| 1 | GAT08016000 | Micro switch cord | 1 | |
| 2 | GAT080120A0 | Micro switch (asm.) | 1S | |
| 3 | WP0370316SD | ... Washer | 2 | |
| 4 | SS7090850SP | ... Screw | 2 | |
| 5 | GAT08004000 | Cutter mounting base | 1 | |
| 6 | SM4051001SB | Solenoid magnet screw | 4 | |
| 7 | WP0480856SP | ... Washer | 4 | |
| 8 | GAT08003000 | Cunter plate | 1 | |
| 9 | SS7060610SP | ... Screw | 2 | |
| 10 | B1103380DOB | Throat plate, 3/16 | 1 | |
| 11 | SS9151120SP | Knife driving shaft pedestal screw | 2 | |
| 12 | WP065056SD | ... Washer | 2 | |
| 13 | SS7110570SP | Face plate screw | 3 | |
| 14 | GAT08010000 | Face plate intermediate screw | 3 | |
| 15 | B1122552000 | Face plate gasket | 2 | |
| 16 | GAT08011000 | Face plate | 1 | |
| 17 | B1179552000 | Face plate rubber plug | 2 | |

MH 382

金板 B1103-382-00C

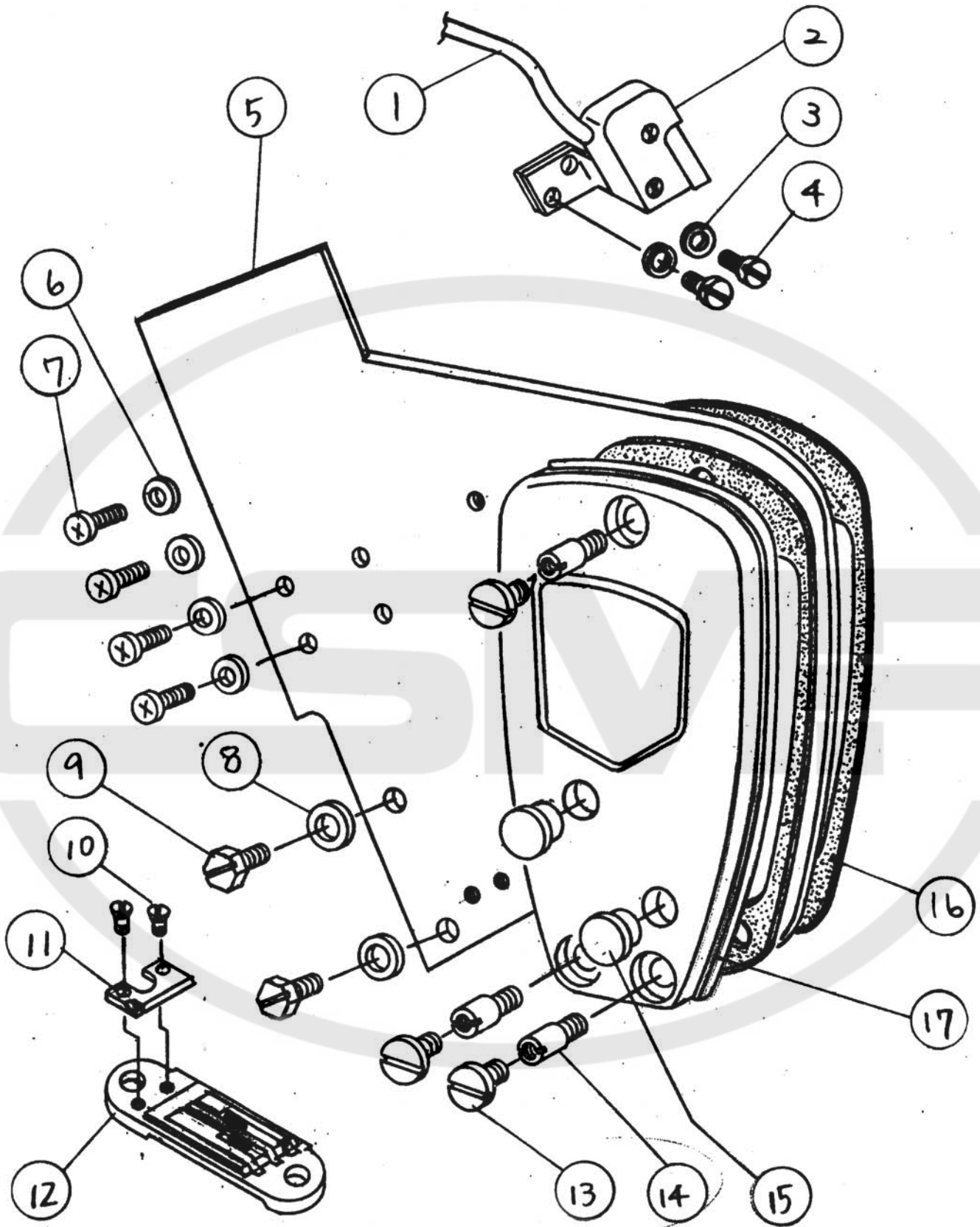
PARTS BOOK FOR AT-8 (10mm)----(2)



PARTS BOOK FOR AT-8 (10mm).....(2)

| Ref. No. | Part No. | Description | Amt. Req. | Remarks |
|----------|-------------|--------------------------------|-----------|---------|
| 1 | D2112555B00 | Cord hanger | 1 | |
| 2 | E4054001000 | Cord holder | 2 | |
| 3 | SS7110510SP | ... Screw | 1 | |
| 4 | GAT08024000 | Lifting lever | 1 | |
| 5 | SS7120910SP | ... Screw B | 1 | |
| 6 | SS8120740SP | ... Screw B | 1 | |
| 7 | SM4040601SB | Solenoid magnet cover screw B | 2 | |
| 8 | GAT08020000 | Name plate | 1 | |
| 9 | GAT08005000 | Solenoid magnet cover | 1 | |
| 10 | SS7110510SP | ... Screw A | 1 | |
| 11 | GAT08018000 | Plunger | 1 | |
| 12 | GAT080170A0 | Solenoid magnet (asm.) | 1s | |
| 13 | E5025001000 | Knife driving shaft cushion | 1 | |
| 14 | GAT08006000 | Knife driving shaft | 1 | |
| 15 | GAT08008000 | Knife driving shaft connection | 1 | |
| 16 | SS7111410SP | ... Screw | 1 | |
| 17 | MAT80113T00 | ... Spring | 1 | |
| 18 | GAT08019000 | Knife mounting base | 1 | |
| 19 | SS8660610TP | ... Screw | 1 | |
| 20 | GAT08002000 | Upper knife | 1 | |
| 21 | SS7090610SP | ... Set screw | 2 | |
| 22 | GAT08007000 | Knife driving shaft pedestal | 1 | |
| 23 | GAT08009000 | Shaft connection guide | 1 | |
| 24 | SS4080610SP | ... Screw | 2 | |

PARTS BOOK FOR AT-8 (20mm)-----(1)

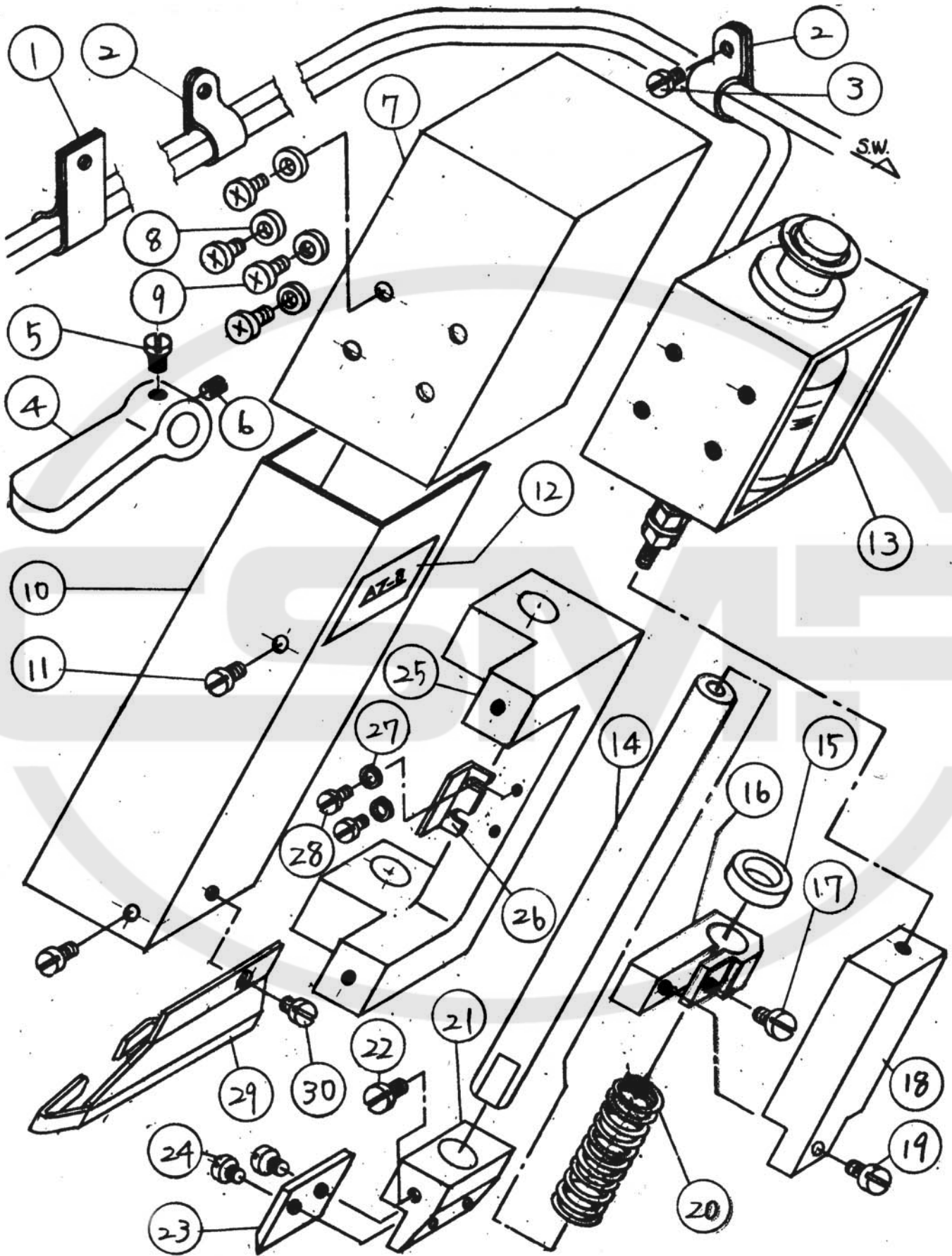


PARTS BOOK FOR AT-8 (20mm)(1)

| Ref. No. | Part No. | Description | Amt. Req. | Remarks |
|----------|-------------|-------------------------------------|-----------|---------|
| 1 | GAT08016000 | Micro switch cord | 1 | |
| X C ② | GAT080120A0 | Micro switch (asm.) | 1s | |
| 3 | WP0370316SD | ... Washer | 2 | |
| 4 | SS7090850SP | ... Screw | 2 | |
| 5 | GAT0800400B | Cutter mounting base | 1 | |
| 6 | WP0450801SD | Solenoid magnet washer | 4 | |
| 7 | SM4040601SB | ... Screw | 4 | |
| 8 | WP0651056SD | Knife driving shaft pedestal washer | 2 | |
| 9 | SS9151120SD | ... Screw | 2 | |
| F ⑩ 2 | SS2060510SP | Counter plate screw | 2 | |
| F ⑪ | GAT0800300B | Counter plate | 1 | |
| 12 | B1103380DOC | Throat plate, 3/16 | 1 | |
| 13 | SS7110570SP | Face plate screw | 3 | |
| 14 | GAT08010000 | Face plate intermediate screw | 3 | |
| 15 | B1179552000 | Face plate rubber plug | 2 | |
| 16 | B1122552000 | Face plate gasket | 2 | |
| 17 | GAT08011000 | Face plate | 1 | |

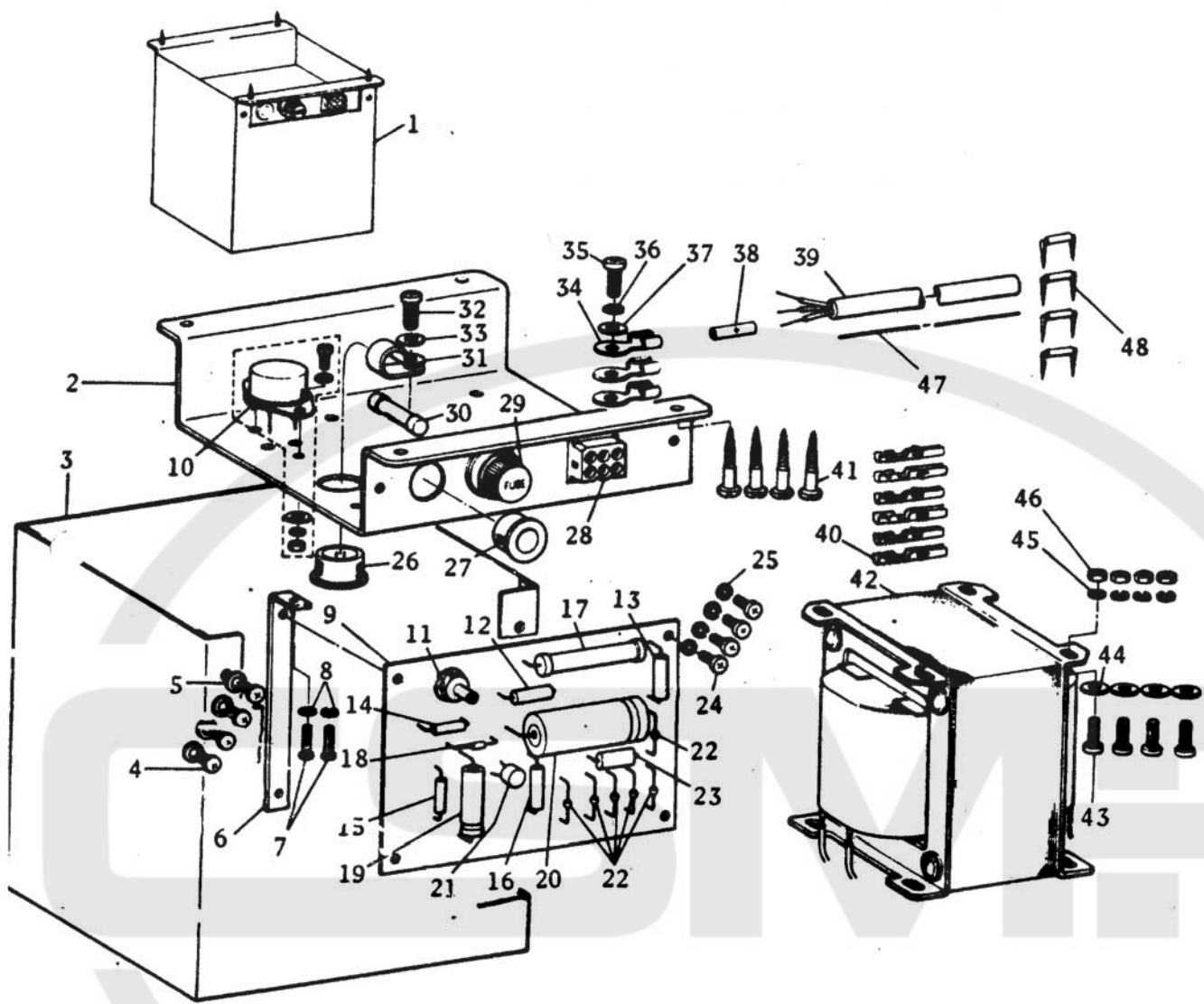
⑦ B1103380DOC

PARTS BOOK FOR AT-8 (20mm)----- (2)



PARTS BOOK FOR AT-8 (20mm).....(2)

| Ref. No. | Part No. | Description | Amt. Req. | Remarks |
|----------|-------------|------------------------------|-----------|---------|
| 1 | D2112555B00 | Cord hanger | 1 | |
| 2 | E4054001000 | Cord holder | 2 | |
| 3 | SS7110510SP | ... Screw | 1 | |
| 4 | GAT08024000 | Lifting lever | 1 | |
| 5 | SS7120910SP | ... Screw B | 1 | |
| 6 | SS8120740SP | ... Screw | 1 | |
| 7 | GAT0802100B | Solenoid magnet cover | 1 | |
| 8 | WP0450801SD | ... Washer | 4 | |
| 9 | SM4040601SB | ... Screw | 4 | |
| 10 | GAT0800500B | Pedestal cover | 1 | |
| 11 | SS7110510SP | ... Screw | 2 | |
| 12 | GAT08020000 | Name plate | 1 | |
| 13 | GAT080170AB | Solenoid magnet (asm.) | 1s | |
| 14 | GAT0800600B | Knife driving shaft | 1 | |
| 15 | GAT08026000 | ... Cushion | 1 | |
| 16 | GAT0800800B | ... Connection | 1 | |
| 17 | SS7111120SP | ... Screw | 1 | |
| 18 | GAT08025000 | Driving shaft actuator | 1 | |
| 19 | SS7111120SP | ... Screw | 1 | |
| C 20 | GAT08028000 | Knife driving shaft spring | 1 | |
| 21 | GAT0801900B | Knife mounting base | 1 | |
| 22 | SS8660610TP | ... Screw | 1 | |
| F 23 | GAT0800200B | Upper knife | 1 | |
| F 24 2 | SS7090610SP | ... Set screw | 2 | |
| 25 | GAT0800700B | Knife driving shaft pedestal | 1 | |
| 26 | GAT0800900B | Shaft connection guide | 1 | |
| 27 | WP0330500MB | ... Washer | 2 | |
| 28 | SS4080610SP | ... Screw | 2 | |
| 29 | GAT08027000 | Knife guard | 1 | |
| 30 | SS7110710SP | ... Screw | 1 | |



PARTS BOOK FOR AT-8 (3)

| Ref.No. | Part No. | Description | Amt. Req. | Remarks |
|---------|---------------|--|--------------|---------|
| 1 | MAT80157TAB | Control box (B) asm. | 1 | |
| 2 | MAT80153T00 | Electric parts mounting base | (1) | |
| 3 | MAT80154T00 | Control box cover | (1) | |
| 4 | SM-4040601-SB | ... Screw | (4) | |
| 5 | WP-0450501-SB | ... Washer | (4) | |
| 6 | MAT-80152T00 | Printed wire board holder | (2) | |
| 7 | SM-4031001-SB | ... Screw | (2) | |
| 8 | WS-0310602-SB | ... Spring washer | (2) | |
| 9 | MAT-80145T00 | Printed wire board | (1) | |
| C (10) | HT-3X25150-P1 | Power transistor 2SC558 | (1) | |
| 11 | MAT-80141T00 | Variable resistor 10K Ω | (1) | |
| 12 | HR-2311402-61 | Resistor 4K Ω /2W | (1) | |
| 13 | HR-231150P-61 | Resistor 5 Ω 1/2W | (1) | |
| 14 | HR-2211501-61 | Resistor 500 Ω 1/4W | (1) | |
| 15 | HR-2211102-61 | Resistor 1K Ω 1/4W | (1) | |
| 16 | HR-2311101-61 | Resistor 100 Ω 1/2W | (1) | |
| 17 | HR-4711102-61 | Metal film resistor 1k Ω 7W | (1) | |
| D (18) | HG-3551202-0S | Zener diode 02Z12A | (1) | |
| 19 | HC-B500J10-04 | Electrolytic condenser 10 μ F 50V | (1) | |
| 20 | HC-B161V47-04 | Electrolytic condenser 47 μ F 160V | (1) | |
| C (21) | HT-3L11115-P1 | Transistor 2SC484 | (1) | |
| D (22) | HG-2672011-7P | Diode V03C | (6) | |
| 23 | HC-L631V01-S2 | Mylar condenser 0.01 μ F 630V | (1) | |
| 24 | SM-4030601-SB | Set screw, for printed wire board | (4) | |
| 25 | WP-0330501-SB | ... Washer | (4) | |
| 26 | MAT-80148T00 | Rubber bushing TB1116 | (1) | |
| 27 | MAT-80147T00 | Rubber bushing TB0813 | (1) | |
| 28 | D6029-555-B0B | 6-pole nylon receptacle | (1) | |
| 29 | MAT-80142T00 | Fuse holder | (1) | |
| F (30) | MAT-80143T00 | Fuse 3A | (1) | |

| Ref.No. | Part No. | Description | Amt. Req. | Remarks |
|---------|---------------|---|--------------|---------|
| 31 | MAT-80159T00 | Cord holder | (1) | |
| 32 | SM-4041001-SB | ... Screw | (1) | |
| 33 | WP-0450501-SB | ... Washer | (1) | |
| 34 | HP-1A43PGC-12 | Terminal | (3) | |
| 35 | SM-4041001-SB | ... Screw | (1) | |
| 36 | WS-0420802-SB | ... Spring washer | (1) | |
| 37 | WP-0450501-SB | ... Washer | (1) | |
| 38 | MAT-80158T00 | Tube | (1) | |
| 39 | MAT-80151T00 | Power source cord | (1) | |
| 40 | D6042-555-B00 | Pin-shape terminal | (6) | |
| 41 | SK-3452000-SD | Electric parts mounting base set screw | (4) | |
| 42 | MAT-80146TOB | Transformer (B) | (1) | |
| 43 | SM-4041501-SB | ... Screw | (4) | |
| 44 | WP-0450501-SB | ... Washer | (4) | |
| 45 | WS-0420802-SB | ... Spring washer | (4) | |
| 46 | NM-6040001-SB | ... Nut | (4) | |
| 47 | HW-2F18S13-19 | Electric wire | (2) | |
| 48 | MAO-11532000 | Staple | (4) | |

別紙

AT-8 完成品番一覧表

| No. | 完成品番 | 製品名 | 備考 |
|-----|-------------|----------------------|----|
| 1 | GAT08000BBC | AT-8 1/ 8' 220V-440V | |
| 2 | GAT08000CBC | AT-8 5/32' 220V-440V | |
| 3 | GAT08000DBC | AT-8 3/16' 220V-440V | |
| 4 | GAT08000EBC | AT-8 7/32' 220V-440V | |
| 5 | GAT08000FBC | AT-8 1/ 4' 220V-440V | |
| 6 | GAT08000HBC | AT-8 5/16' 220V-440V | |
| 7 | GAT08000KBC | AT-8 3/ 8' 220V-440V | |
| 8 | GAT08000LBC | AT-8 1/ 2' 220V-440V | |

1. AT-8は上記表の様にゲージサイズの違いで現在輸出仕様で8種類の完成品番が設定されております。
違いは、針板のみです。上メス、メス受けは全て共通です。
又、現在メス受け板は全て針板にネジが切つてあるタイプで止めます。
2. メス取付け台も現在は、1種類で全て共通です。品番:GAT0800400C
3. 注文は、上記表でゲージサイズに依り選択して下さい。

針板品番は B1103380*0C
*印はゲージサイズです。

| 品番 | 品名 | 数 | 備考欄 |
|-------------|-----------|-----|----------------------------|
| B110338200C | 針板 | 1 | |
| B1103380B0C | 針板 (1/8) | (1) | |
| B1103380C0C | 針板 (5/32) | (1) | |
| B1103380D0C | 針板 (3/16) | (1) | |
| B1103380E0C | 針板 (7/32) | (1) | |
| B1103380F0C | 針板 (1/4) | (1) | |
| B1103380H0C | 針板 (5/16) | (1) | |
| B1103380K0C | 針板 (3/8) | (1) | |
| B1103380L0C | 針板 (1/2) | (1) | |
| B1222019000 | メス軸クッション | 2 | |
| B1122552000 | 面板バッキン | 1 | |
| D2112555B00 | 中間コード押え金具 | 2 | |
| GAT0800200B | 上メス | 3 | |
| GAT0800300B | メス受け板 | 2 | 1ヶは補用(附属) |
| GAT0800400B | 取付土台 | 1 | デュパントホワイト樹脂 GAT0800400C |
| GAT0800500B | 軸受カバー | 1 | |
| GAT0800600B | メス軸 | 1 | |
| GAT0800700B | 軸受 | 1 | |
| GAT0800800B | 抱キ | 1 | |
| GAT0800900C | 抱キ案内 | 1 | |
| GAT080120A0 | スイッチ(組) | 1 | |
| GAT08013000 | スイッチカバー | (1) | |
| GAT08014000 | スイッチ取付板 | (1) | |
| GAT08015000 | スイッチ座 | (1) | |
| GAT08016000 | T, SWコード | (1) | |
| GAT080170AB | ソレノイド(組) | 1 | |
| GAT0801900B | メス取付台 | 1 | |
| GAT08020000 | 型式板 | 1 | |
| GAT08021000 | ソレノイドカバー | 1 | |
| GAT08025000 | 作動軸受 | 1 | |
| GAT08027000 | メスカバー | 1 | |
| GAT08028000 | モドシバネ | 1 | |
| GAT080290A0 | 押え上げレバー | 1 | |



JUKI®

JUKI CORPORATION
INTERNATIONAL SALES DIVISION
8-2-1, KOKURYO-CHO,
CHOFU-SHI, TOKYO 182-8655
JAPAN
PHONE : 03(3430)4001~5
FAX : 03(3430)4909 . 4914 . 4984
TELEX : J22967

JUKI 株式会社

〒182-8655 東京都調布市国領町8-2-1
TEL. 03-3480-1111(代表)

国内営業本部
TEL. 03-3480-1113(ダイヤルイン)

お買い求め、ご相談は
To order or for further
information,
please contact :

※このパーツリストは商品改良のため予告なく変更する事があります。

*The description covered in this parts list is subject to change for improvement of the commodity without notice.

※このパーツリストは、1998年6月 現在の商品仕様で編集したものです。

*This parts list is edited in accordance with the product specifications as of June 1998.